

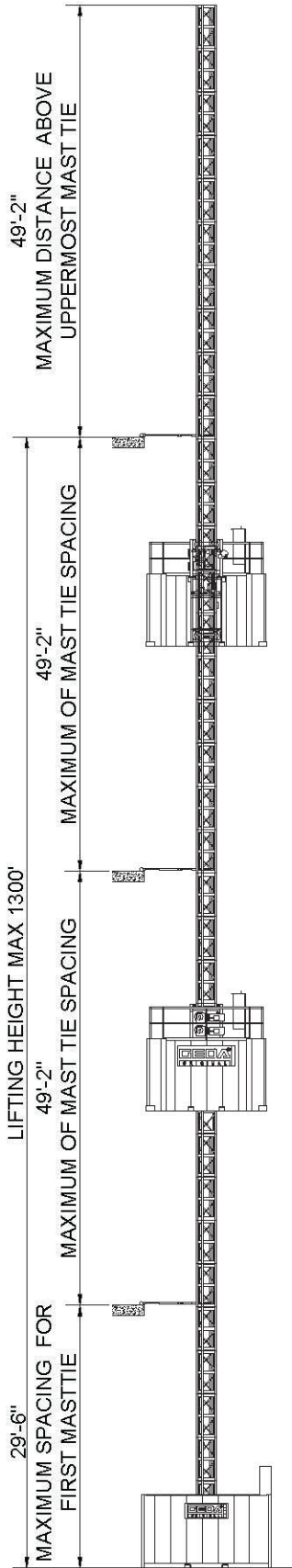


GEDA USA, LLC

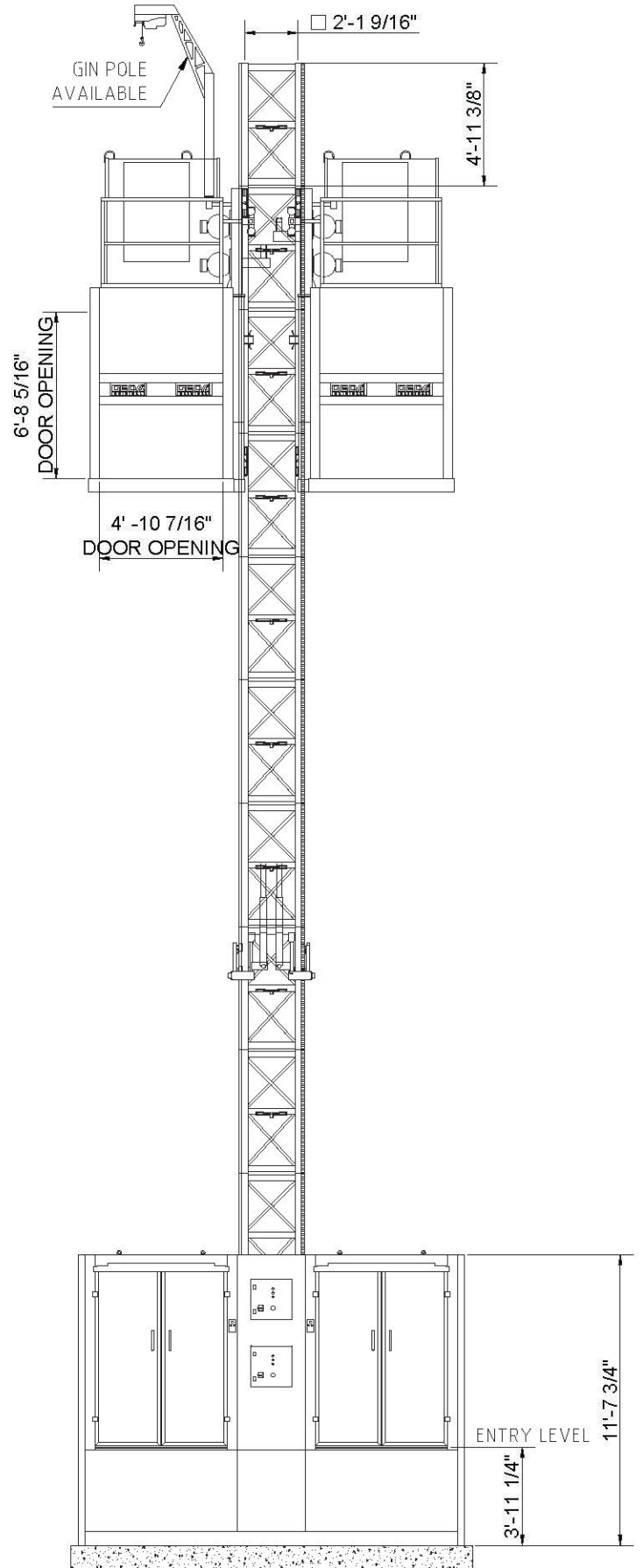
1151 Butler Rd. • League City, TX 77573

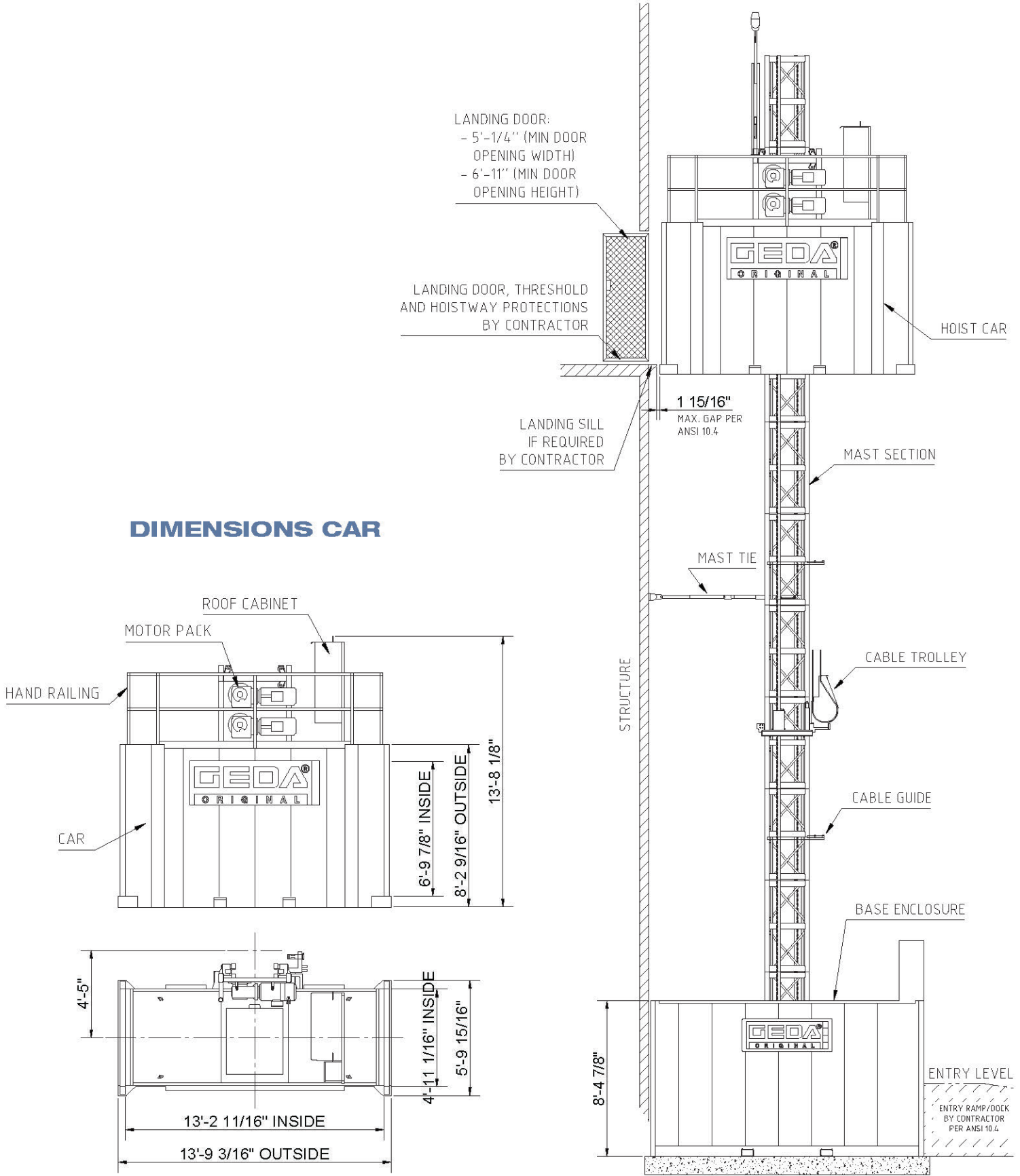
Phone: 713-621-7272 • Fax: 713-621-7279 • Toll-Free: 1-866-973-4332

www.gedausa.com • sales@gedausa.com

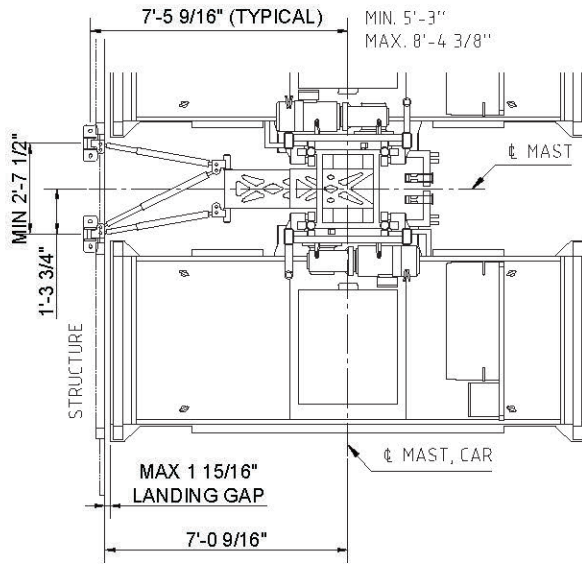


ELEVATION VIEW



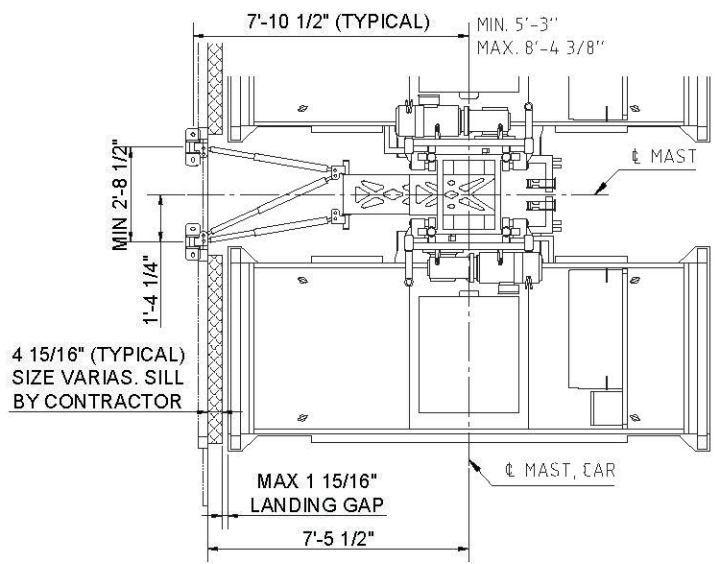


TIE IN DETAILS - SLAB MOUNTED

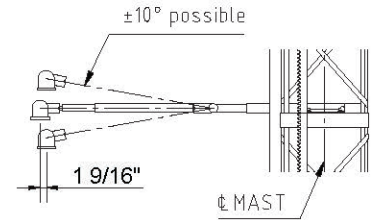
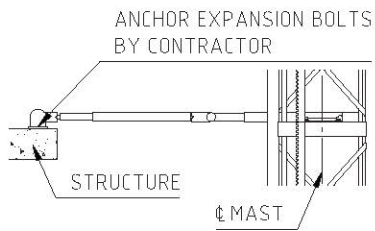


ELEVATION VIEW

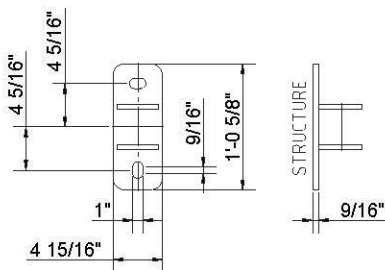
TIE IN DETAILS - SLAB MOUNTED WITH LANDING SILL



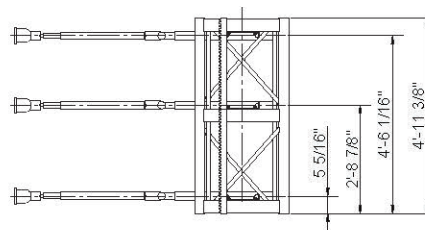
INCLINATION DETAILS



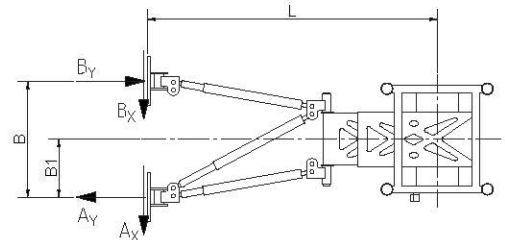
TIE IN PLATE



ATTACHMENT POINTS



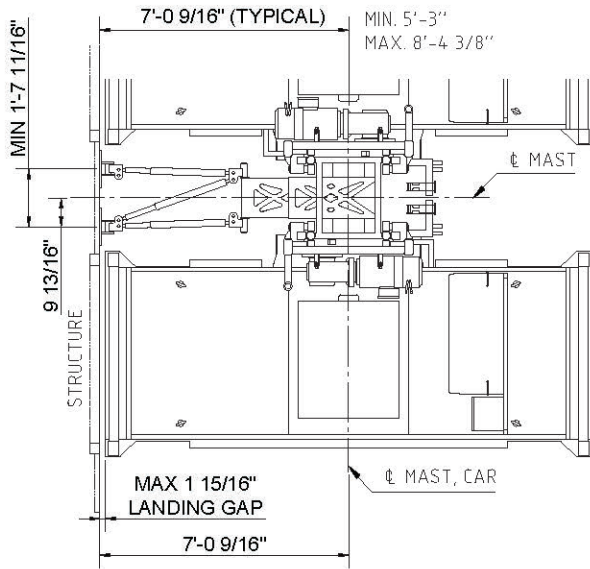
TIE IN LOADS



PLEASE SEE GEDA INSTALLATION MANUAL FOR TIE IN LOADS

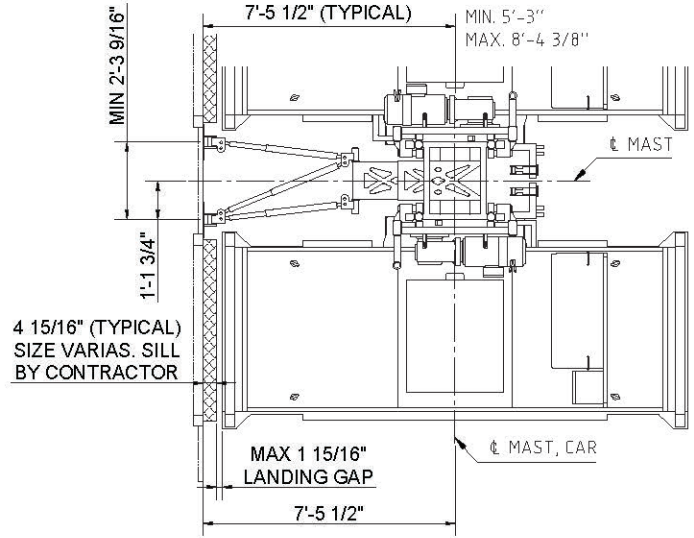
ALTERNATE MAST TIES OR ANCHORING DISTANCES AVAILABLE. CONTACT GEDA FOR INFORMATION.

TIE IN DETAILS - WALL MOUNTED

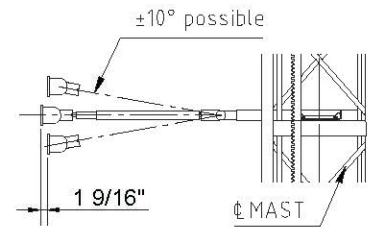
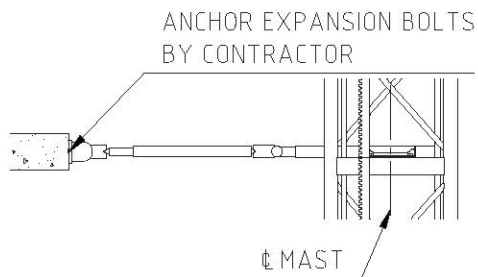


ELEVATION VIEW

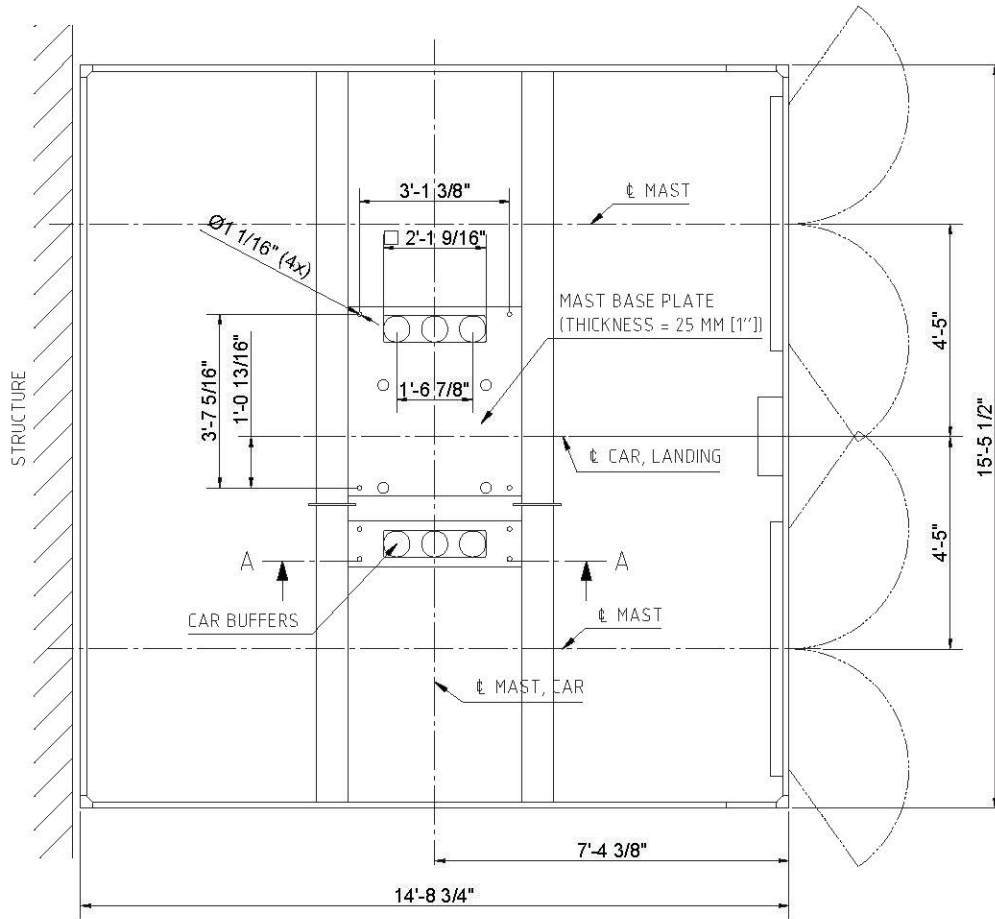
**TIE IN DETAILS - WALL MOUNTED
WITH LANDING SILL**



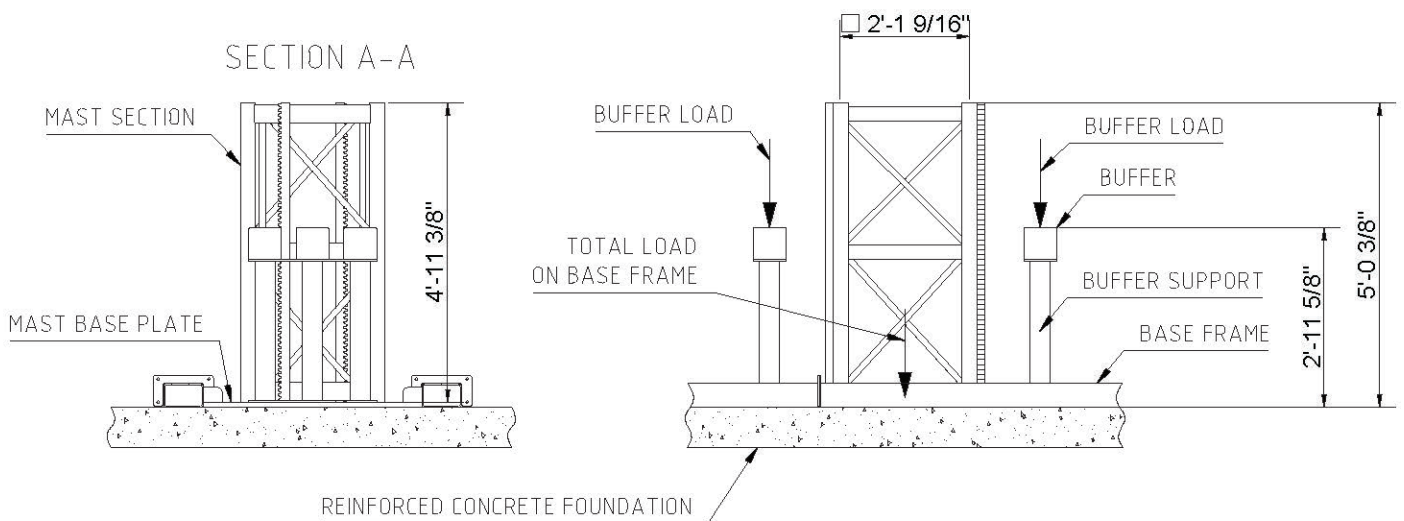
INCLINATION DETAILS



PLAN VIEW BASE ENCLOSURE

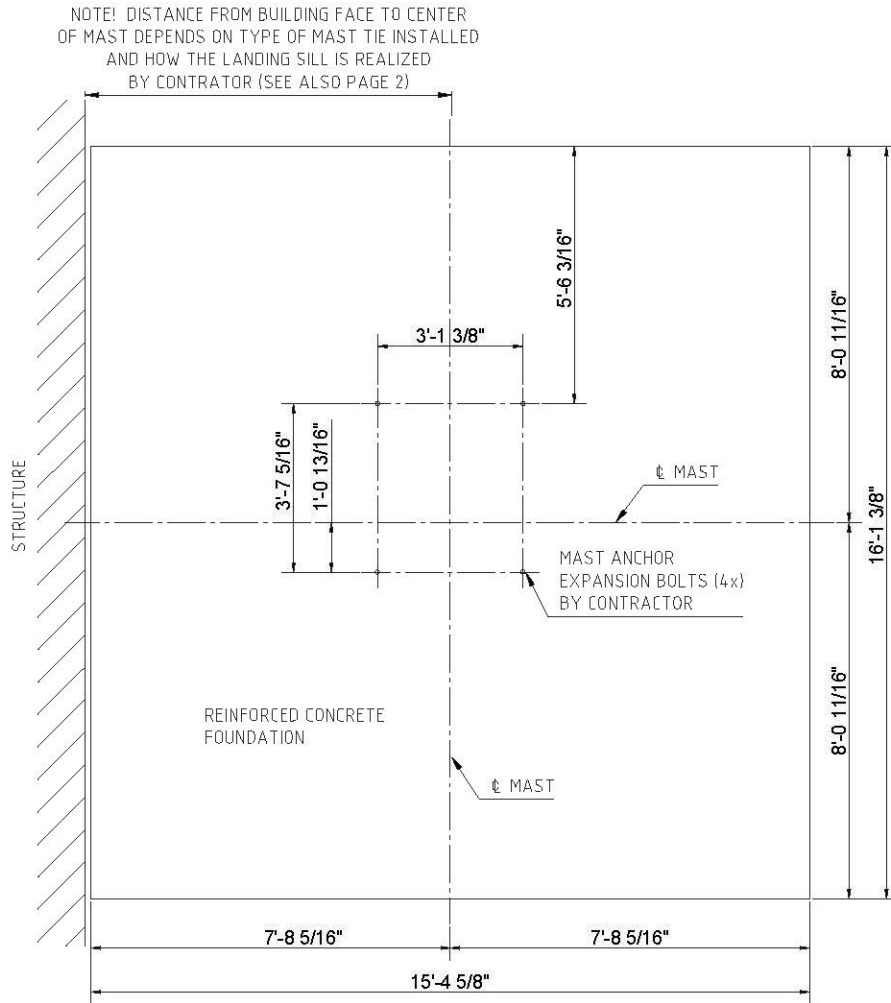


MAST BASE

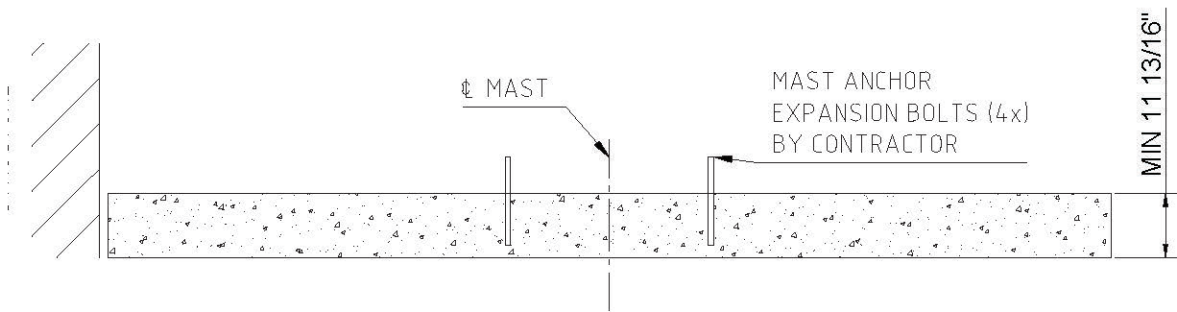


PLEASE SEE GEDA INSTALLATION MANUAL FOR TOTAL LOAD ON BASE FRAME AND BUFFER LOAD.

FOUNDATION PLAN VIEW



FOUNDATION SIDE VIEW



SPECIFICATIONS

MACHINE TECHNICAL DATA SPECS

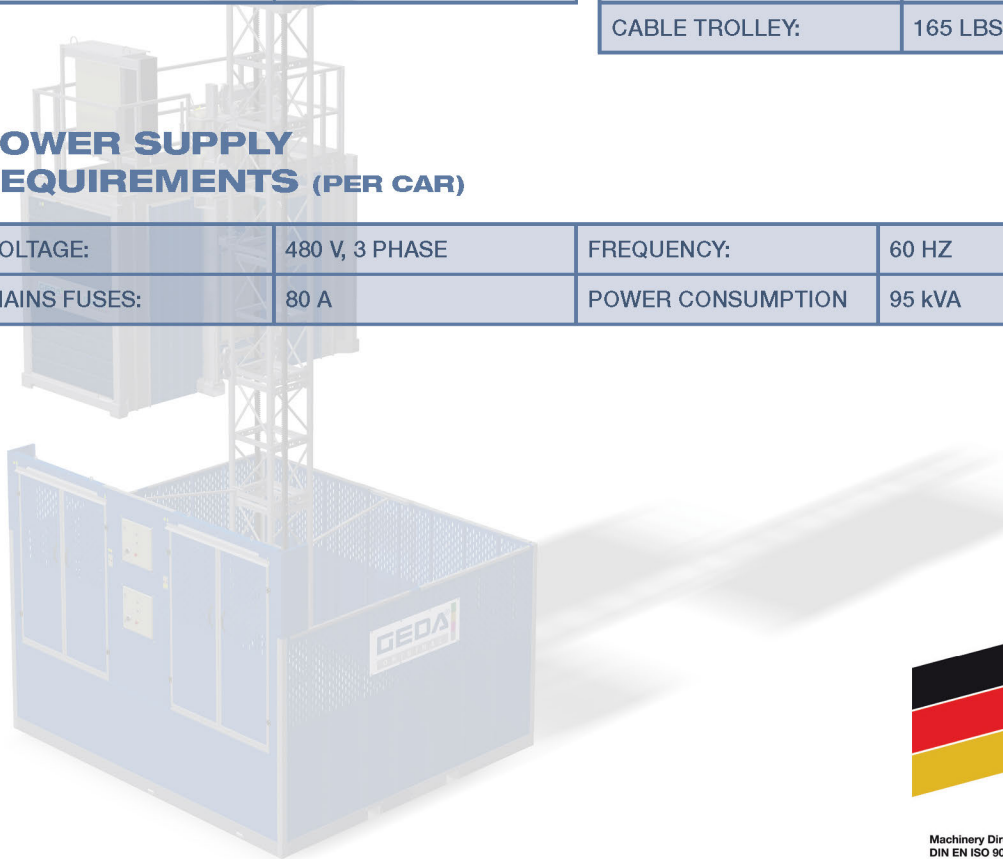
MACHINE TYPE:	GEDA PH7000
CONFIGURATION:	DUAL
CAPACITY:	7000 POUNDS
LIFTING HEIGHT:	VARIABLES (MAX 400m)
RATED SPEED:	131 ft/min.
NUMBER OF MOTORS:	2x19 kW (105 Hz)
MOTOR PACK TYPE:	VFC

COMPONENTS WEIGHT

BASE ENCLOSURE:	4200 LBS
CAR:	4200 LBS
MOTORPACK:	1875 LBS
ROOF CABINET:	600 LBS
MAST SECTION DUAL:	390 LBS
MAST TIE:	230 LBS
CABLE GUIDE	12.5 LBS
CABLE TROLLEY:	165 LBS

POWER SUPPLY REQUIREMENTS (PER CAR)

VOLTAGE:	480 V, 3 PHASE	FREQUENCY:	60 HZ
MAINS FUSES:	80 A	POWER CONSUMPTION	95 kVA



Machinery Directive 2006/42/EG
DIN EN ISO 9001:2008

